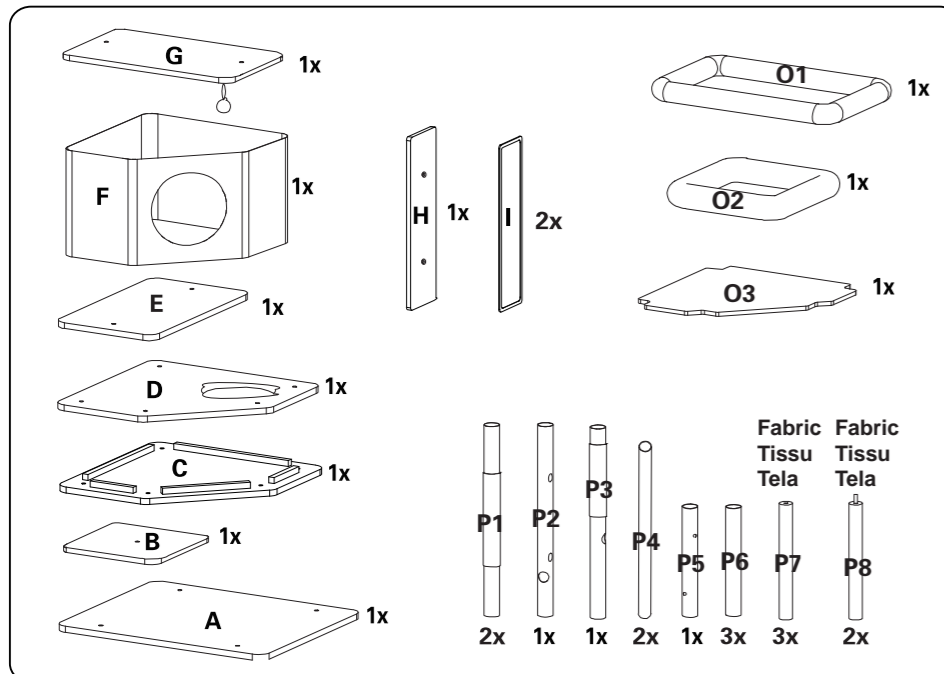
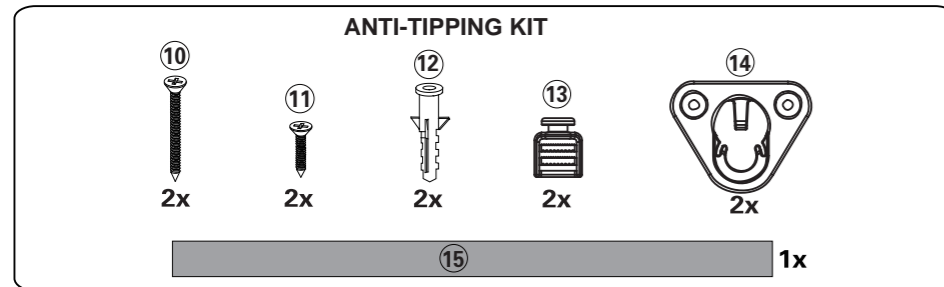
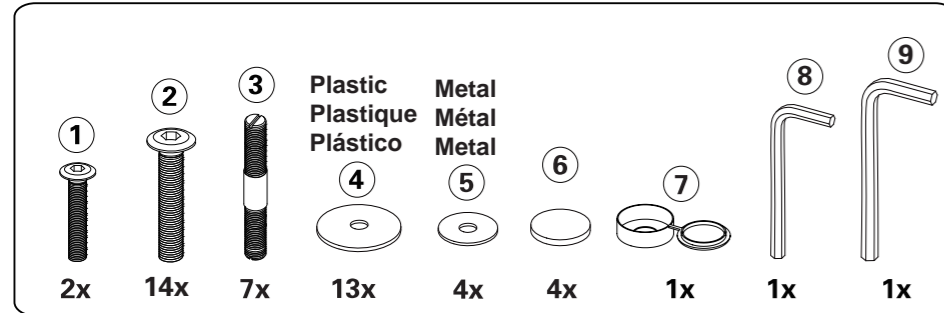
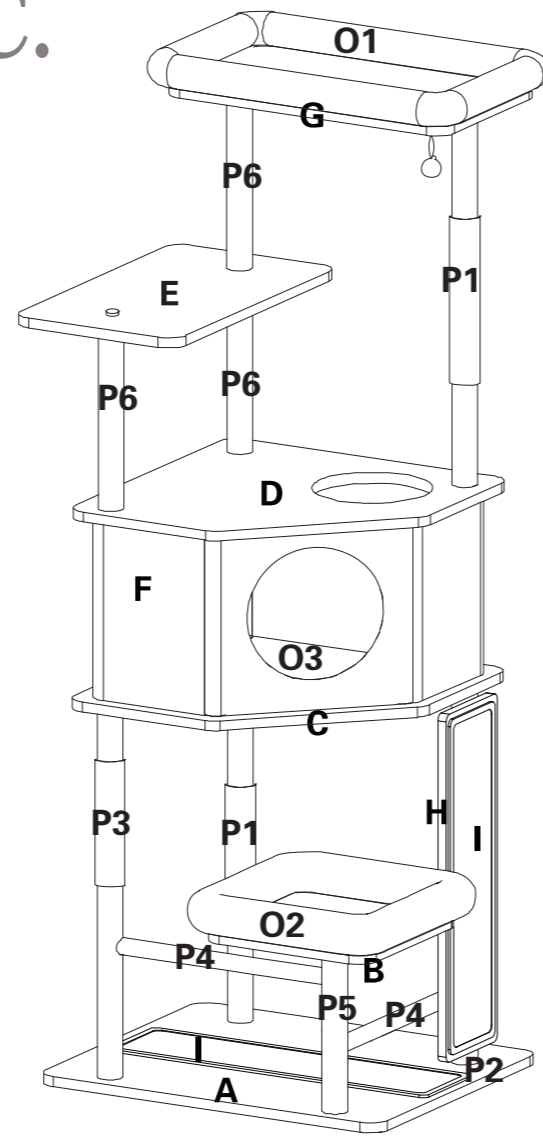


PETPALS GROUP INC.

PP220826B

Grayson



Care & Maintenance

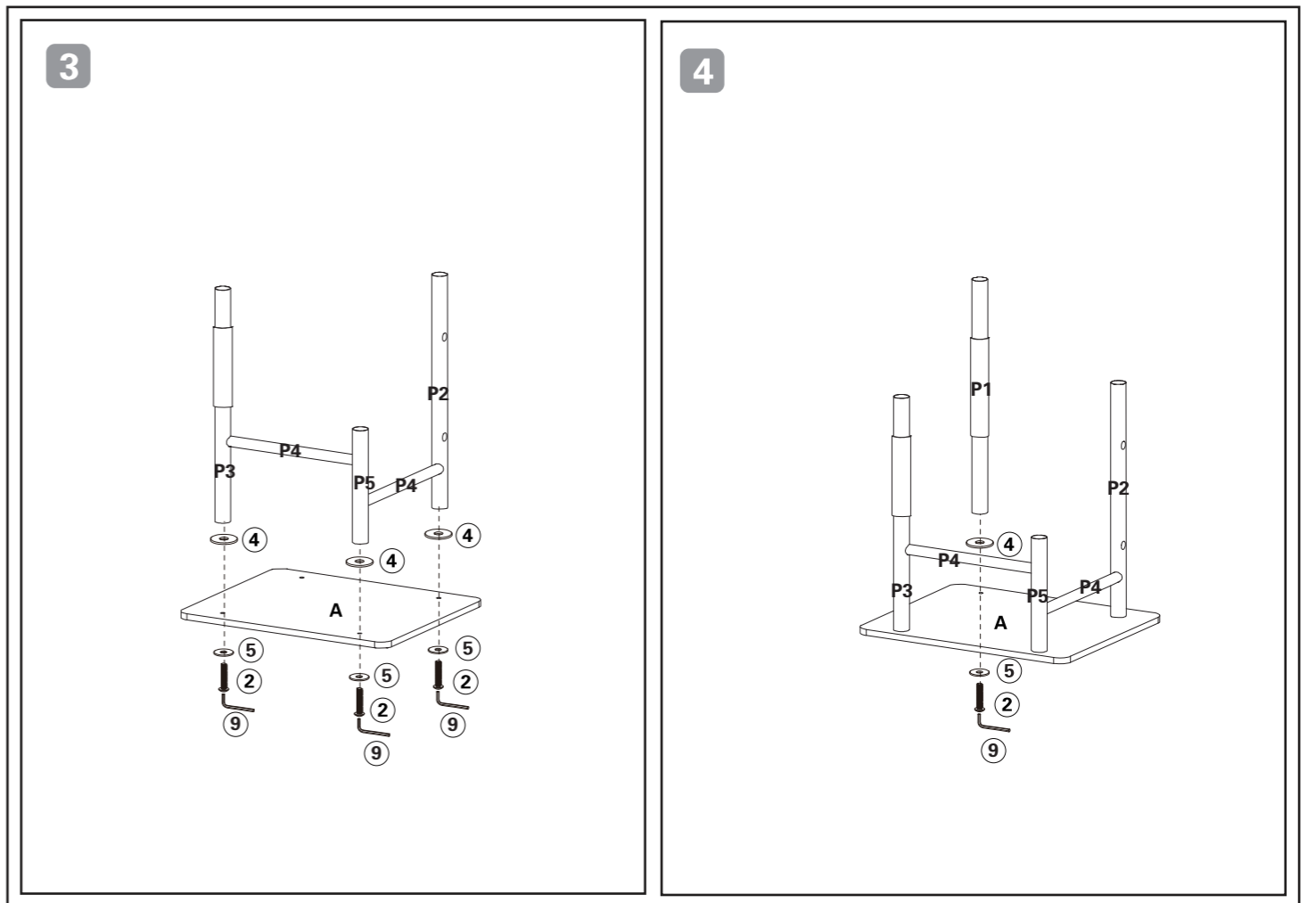
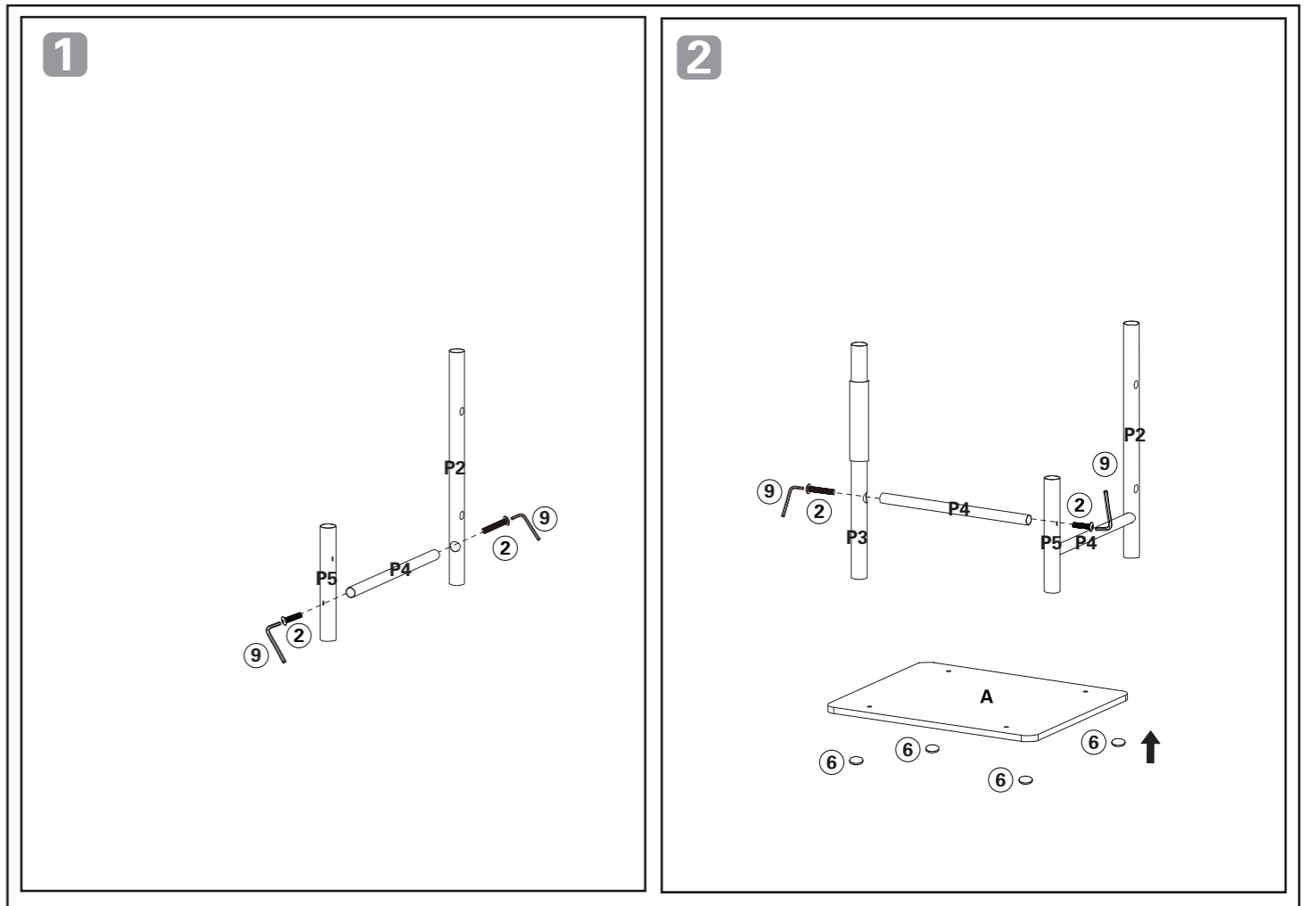
- 1 > Cleaning Tips: Please use a lint roller.
- 2 > Gently vacuum small areas, such as perches, if necessary.

Soins et entretien

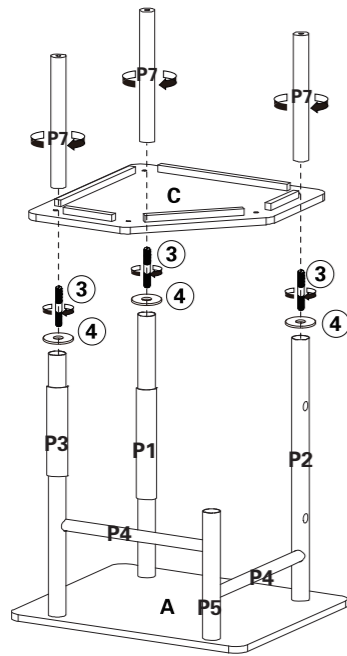
- 1 > Conseils de nettoyage : Veuillez utiliser un rouleau antipeluche.
- 2 > Passer doucement l'aspirateur sur les petites surfaces, comme les perchoirs, si nécessaire.

Cuidado y mantenimiento

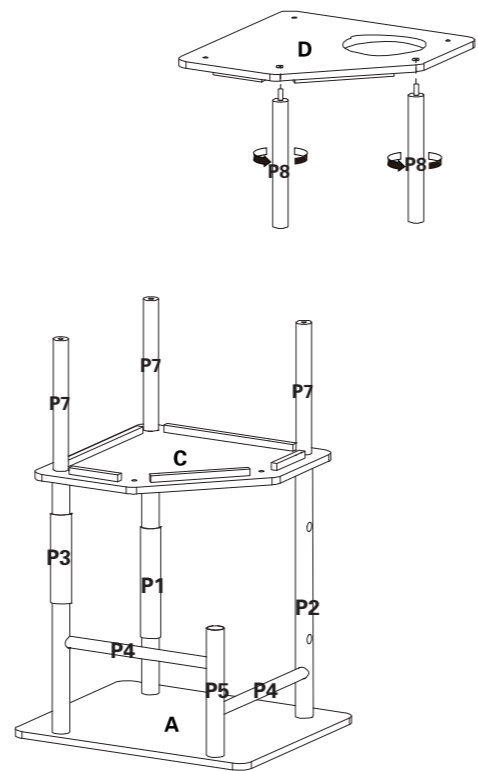
- 1 > Consejos de limpieza: Utilice un rodillo para pelusas.
- 2 > Aspire suavemente las zonas pequeñas, como las perchas, si es necesario.



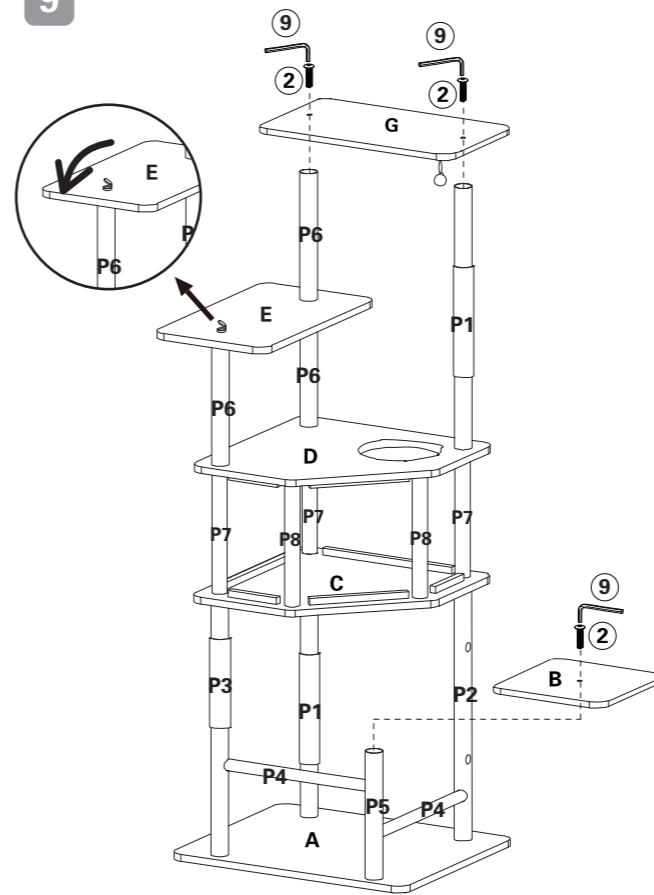
5



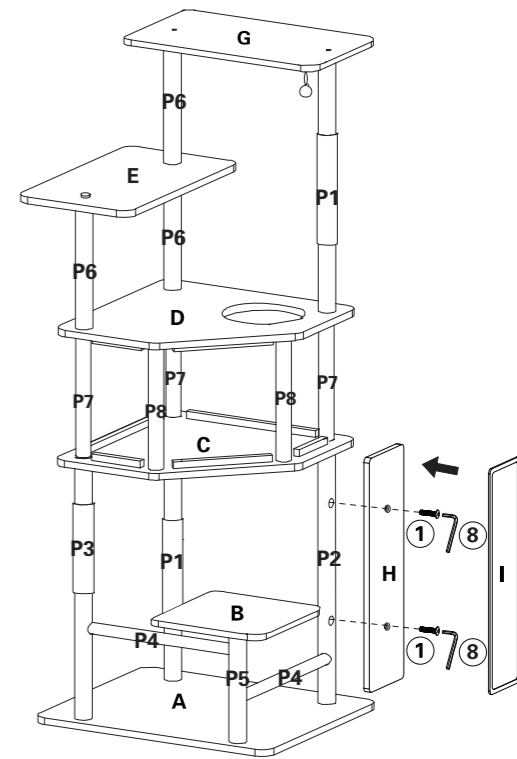
6



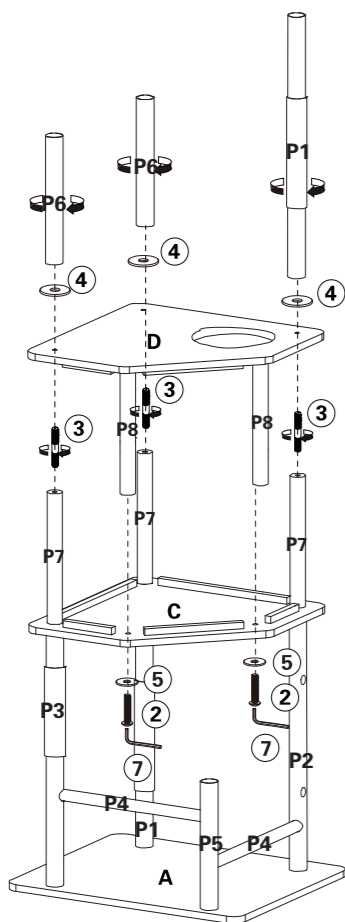
9



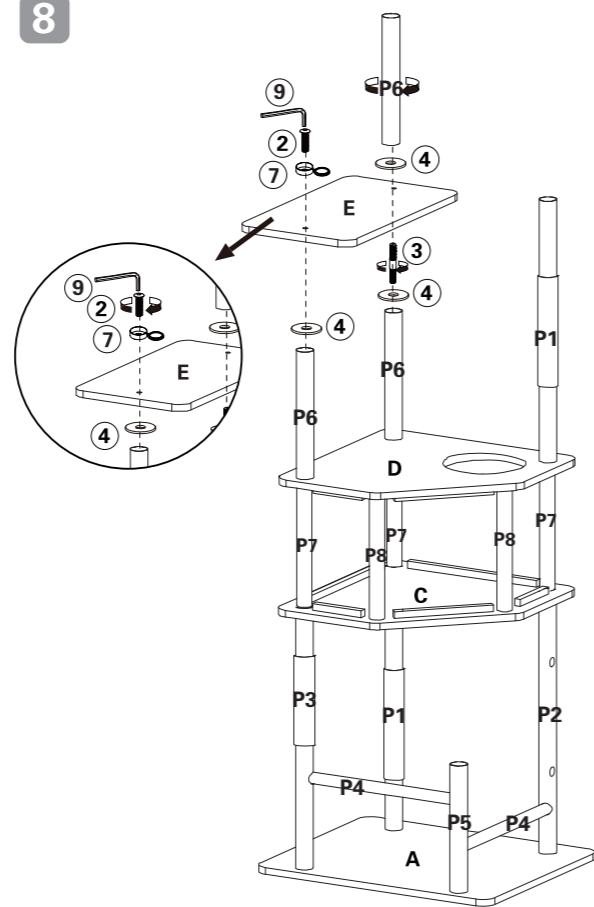
10



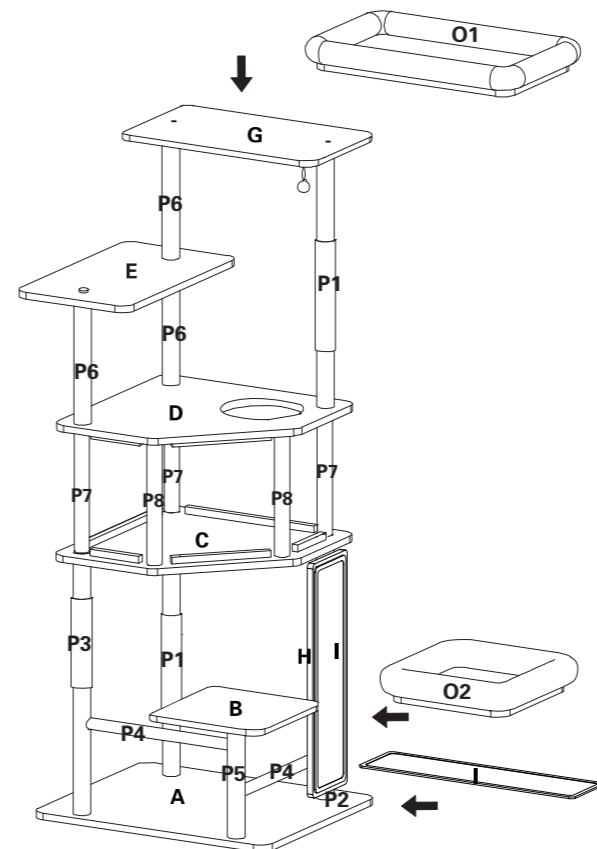
7



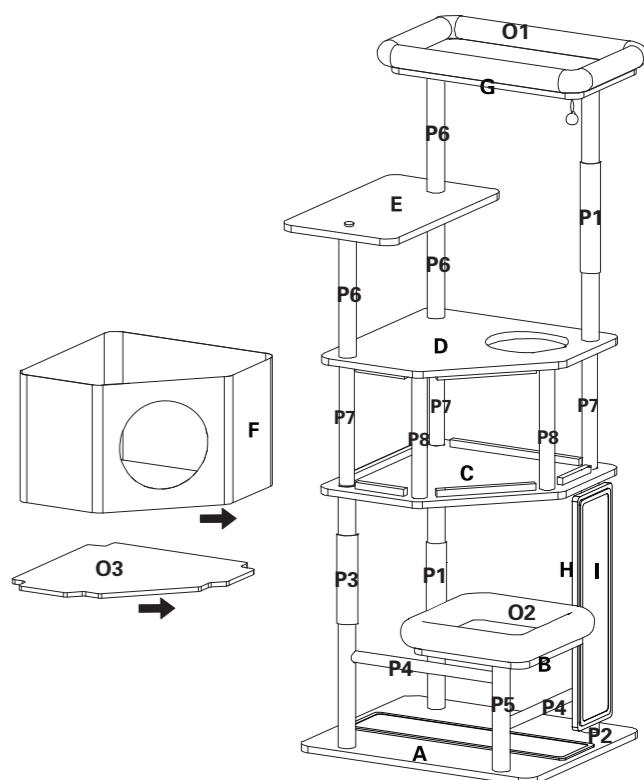
8



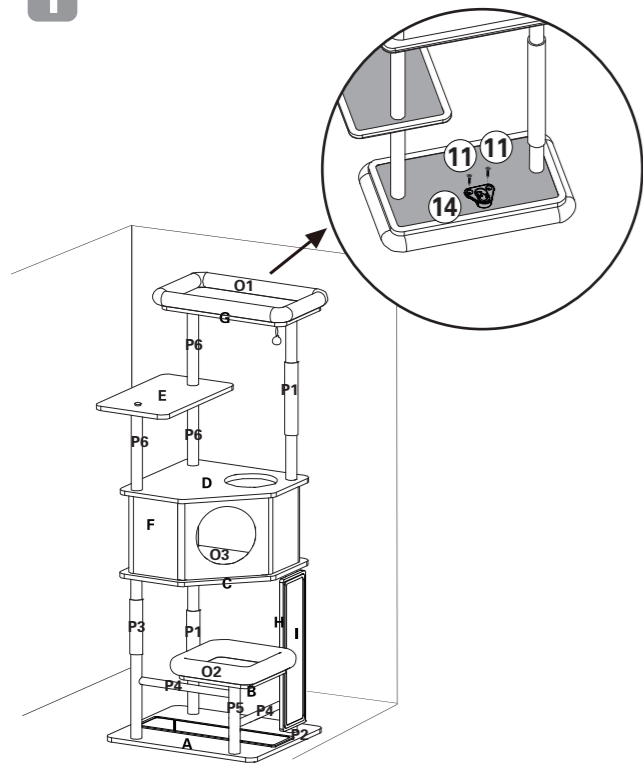
11



12

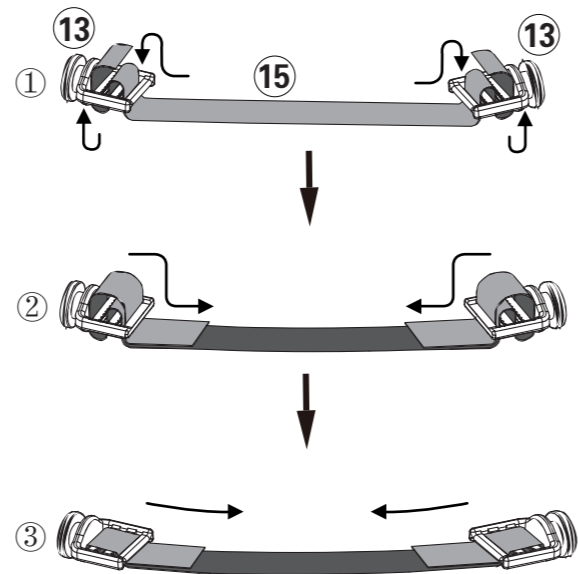


1



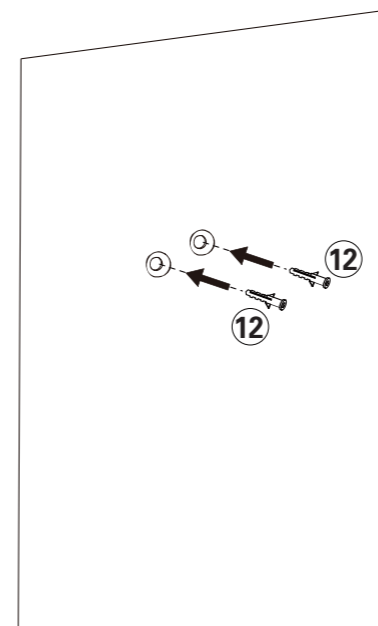
Use Screw 10 x 2 to secure Accessory 13 underneath Part G.

2



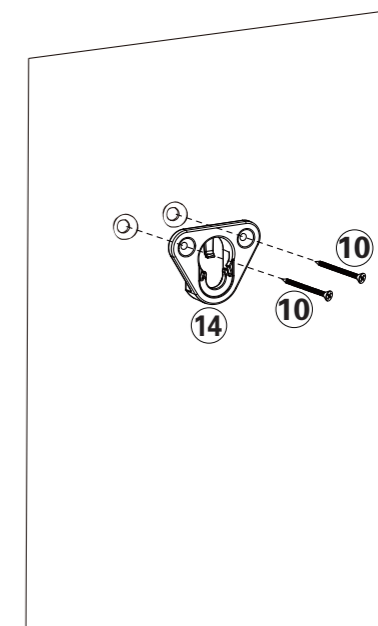
Connect Accessory 15 to both sides of Accessory 13 and tighten the strap as shown in the diagram.

5



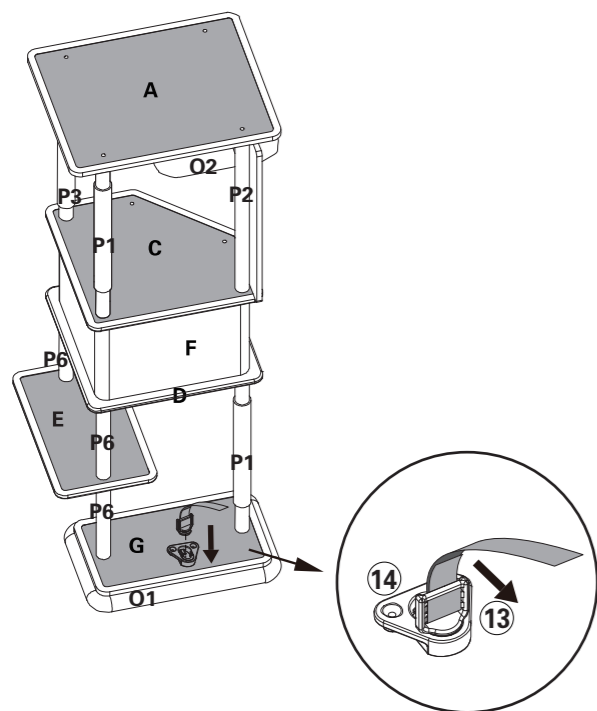
Place accessory 12 x 2 into the drilled holes.

6



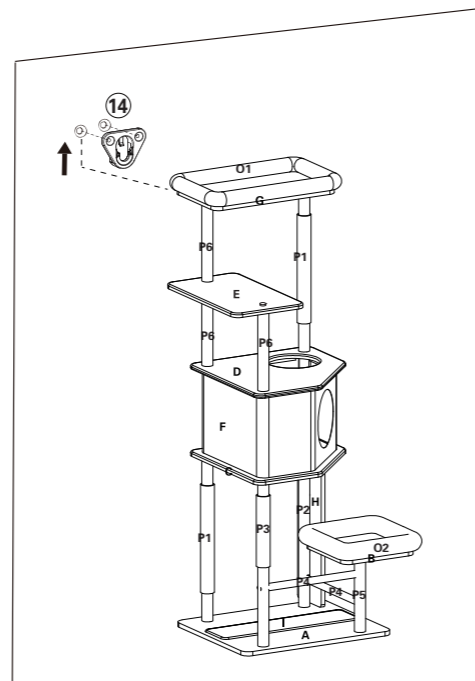
Align accessory 14 with the holes and secure with screw 10 x 2.

3



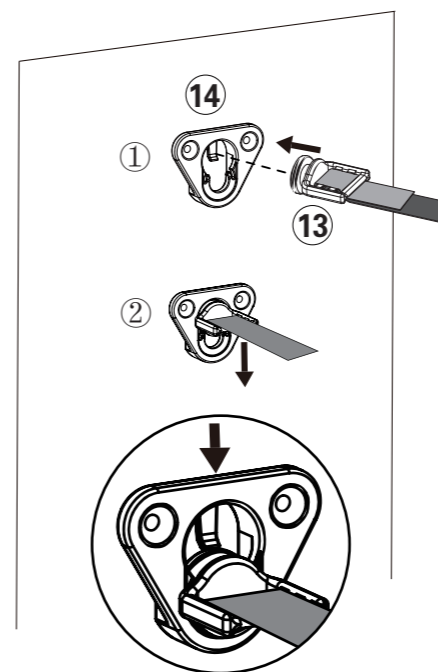
Attach one side of Accessory 13 to Accessory 14 on Part G, following the arrow in the diagram (note: the diagram is upside down).

4



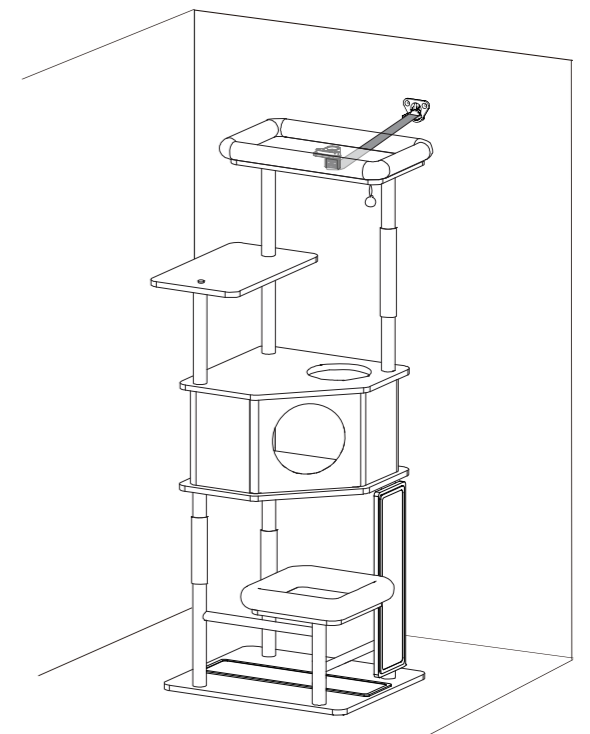
Place Accessory 14 against the wall, measure the hole spacing, and drill holes. Ensure the drilling height is at least equal to the height of Part G.

7



Attach the other side of Accessory 13 to Accessory 14 on the wall, ensuring a secure fit.

8



Your cat tree is now stable and secure!